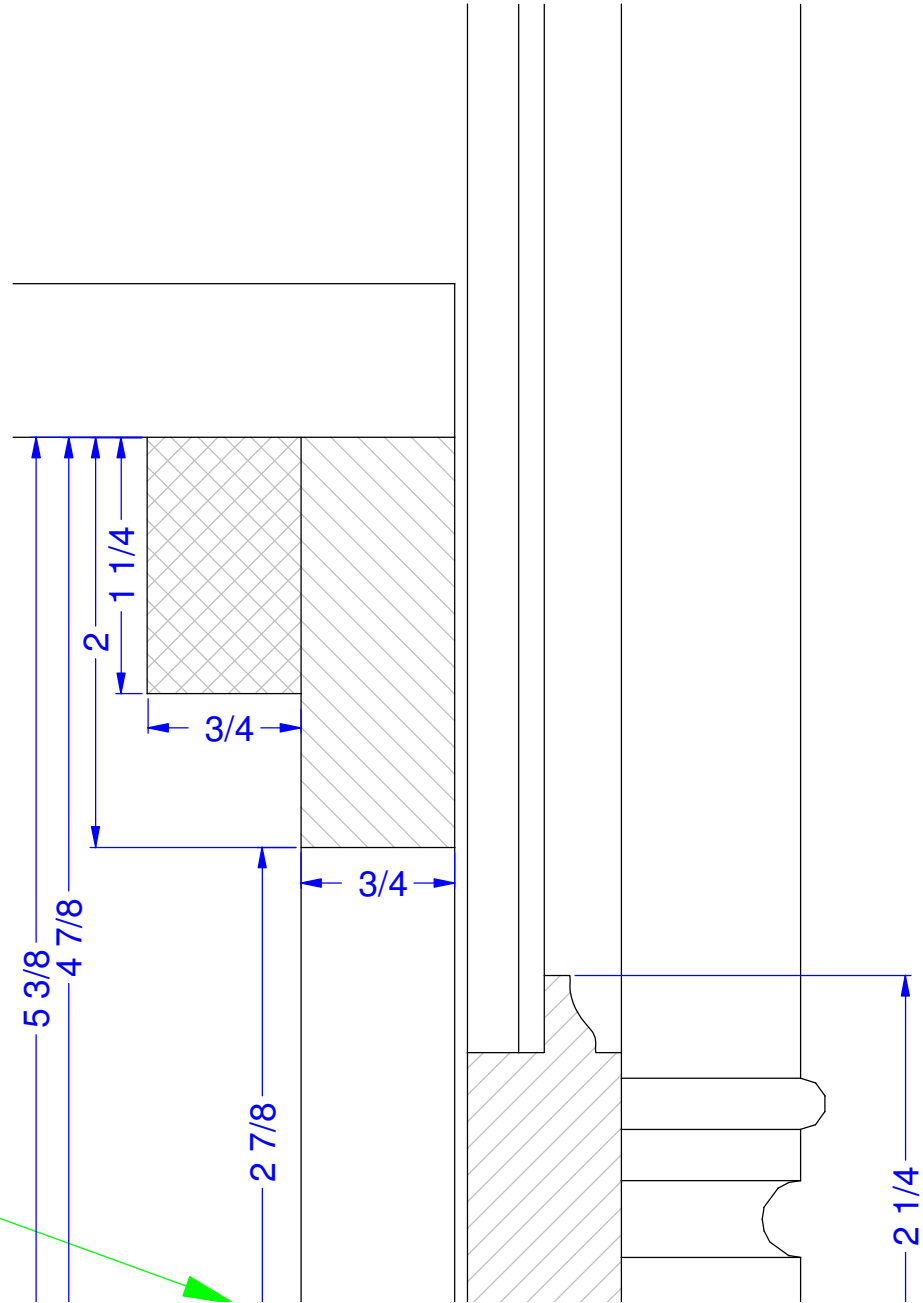
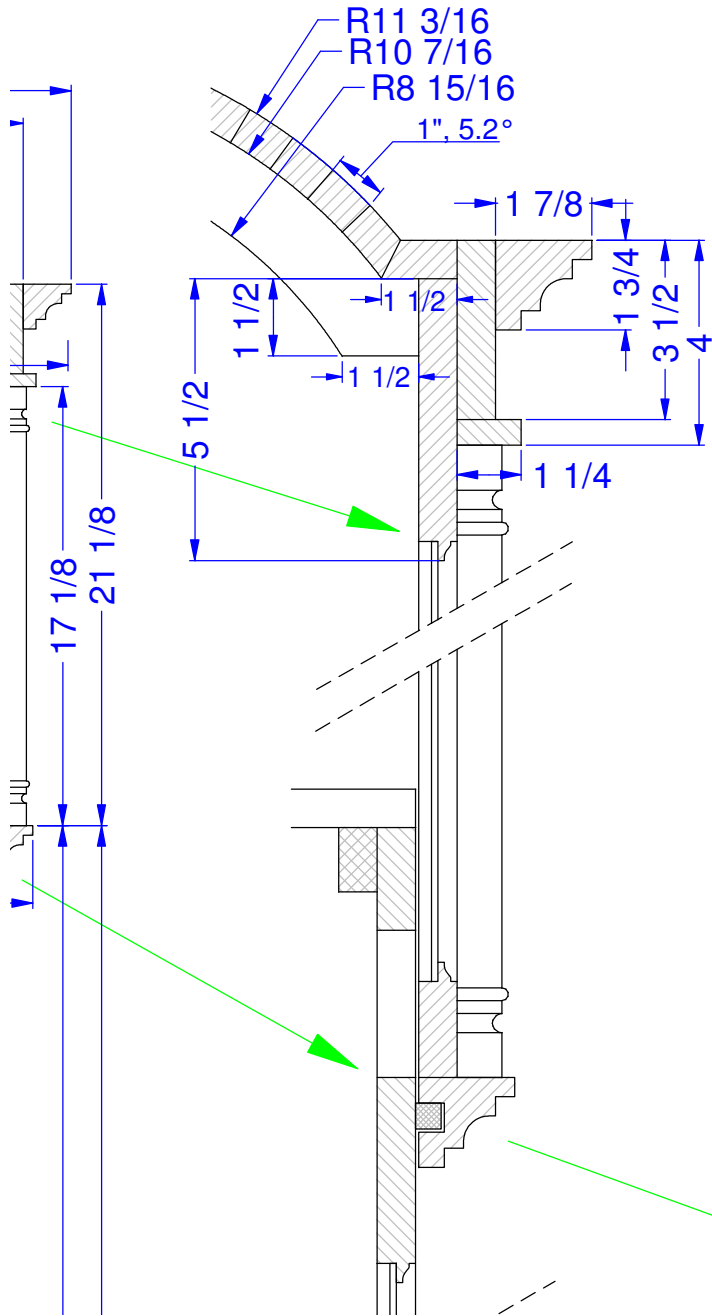
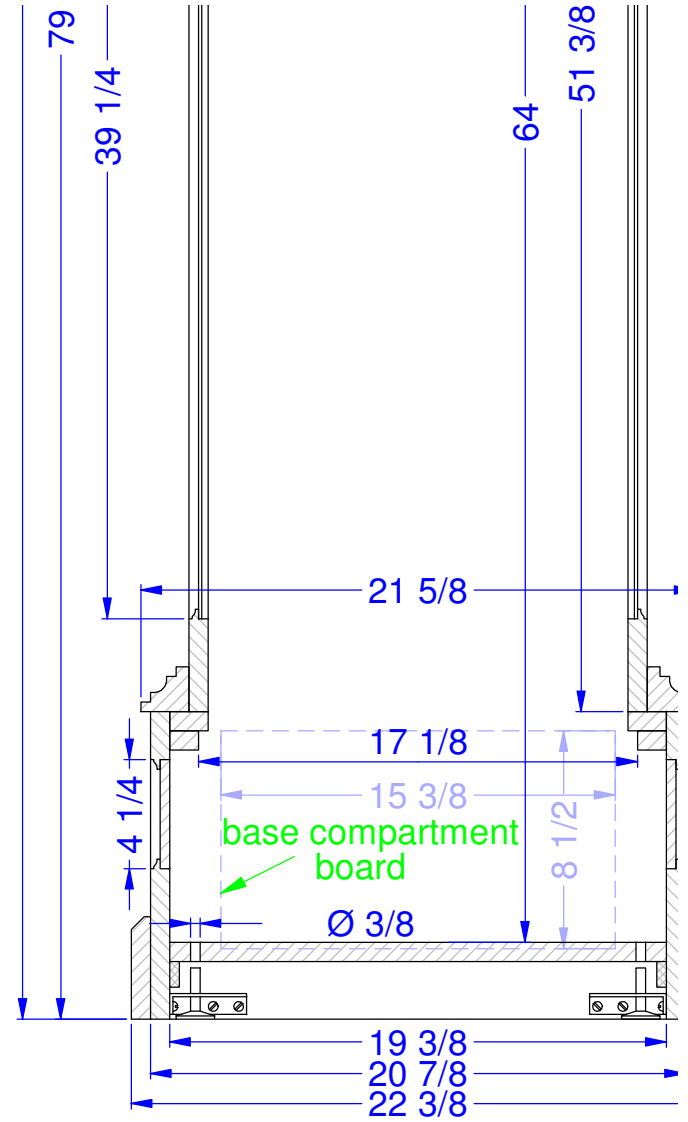
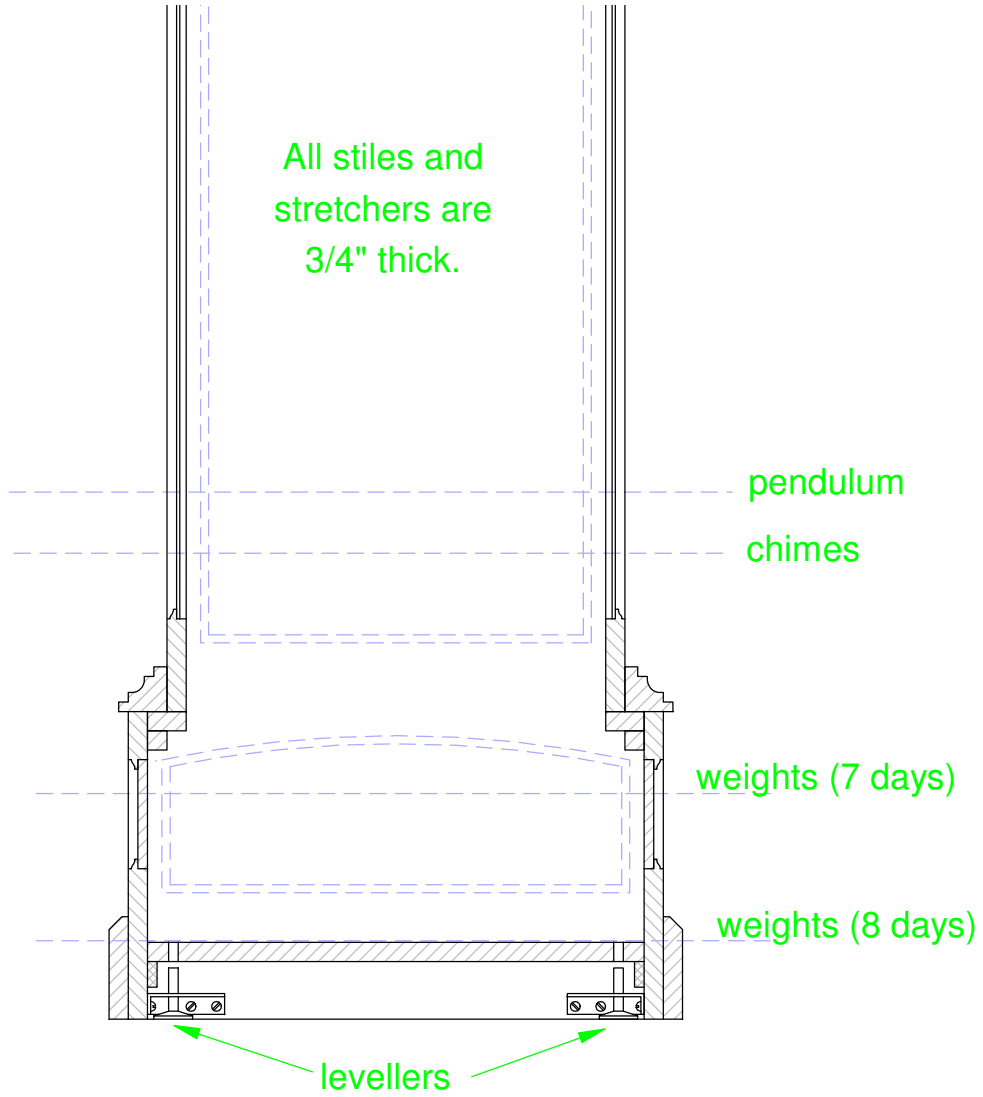


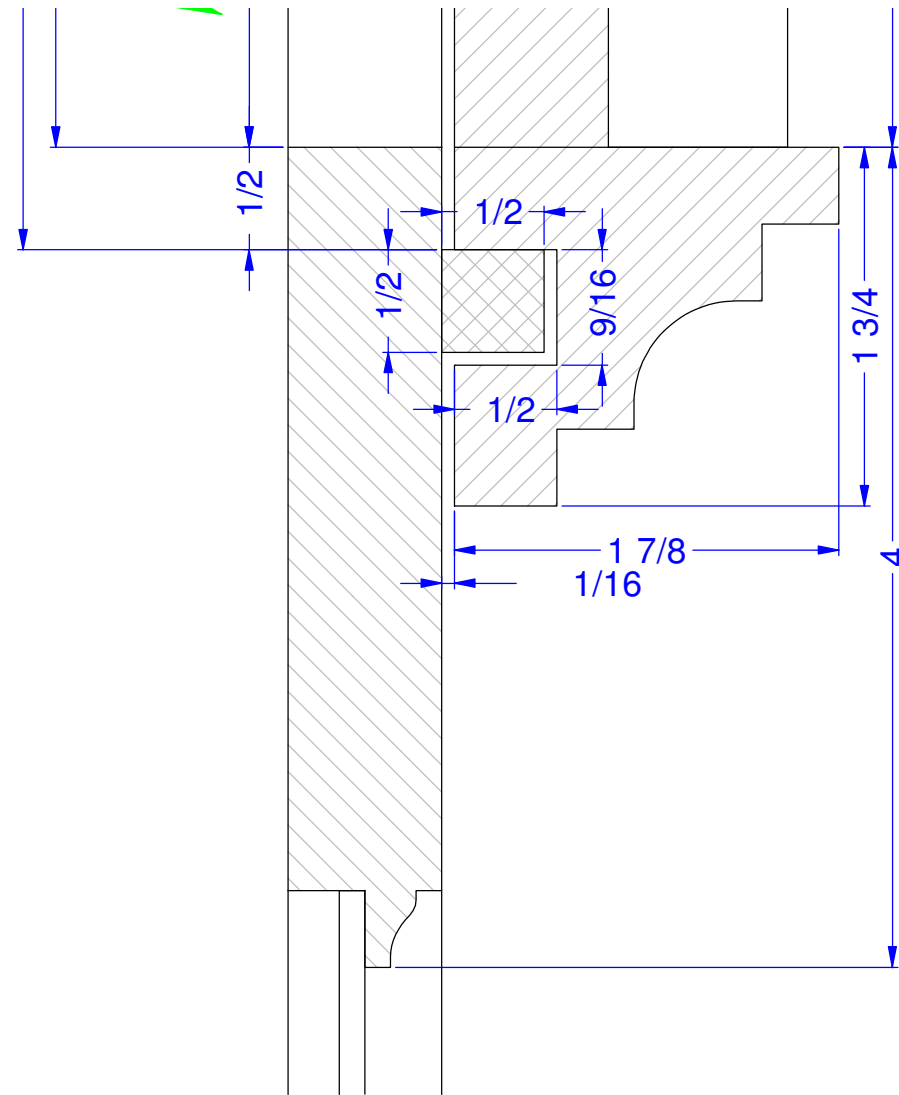
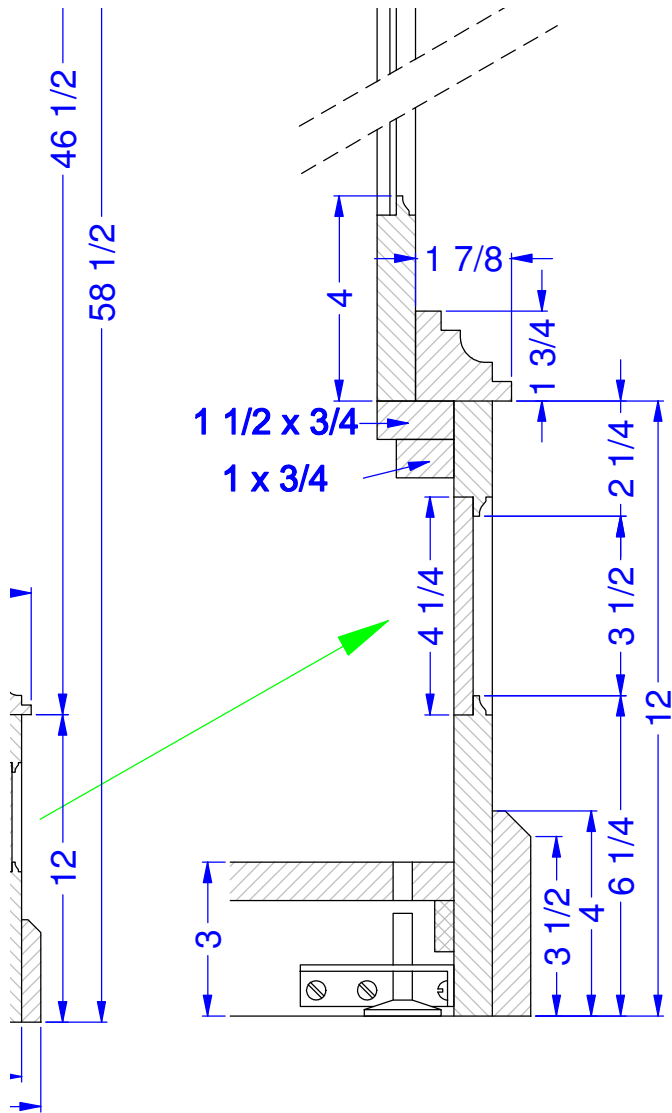
(2 X)

(8 X)



All stiles and stretchers are 3/4" thick.





<b>Grandfather Clock</b> case front section A-A	ref. : GC-FV-05
	rev. : 3-Mar-2010
Dempsey Woodworking -- just a hobby --	scale: varies
	unit : inch
	view : front
DesignCAD 3D MAX v20.0	Copyright © 2010 Pieter A.C.A. van Vliet
	size : letter