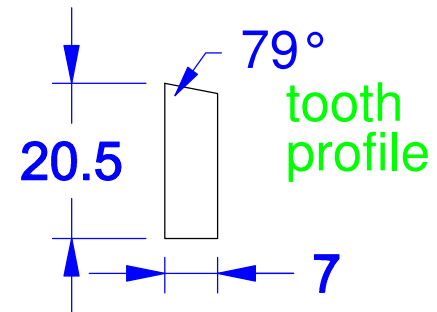


WALLOWER GEAR

outside diameter: 114 mm
 inside diameter: 100 mm
 pitch circle diameter: 107 mm
 circular pitch: 10.5 mm
 number of teeth: 32



tooth thickness: 5 mm
 gear base thickness: 11 mm

Dutch Windmill (scale 1:16.67) Wallower gear template	ref. : DW-TP-05c
	rev. : 12-Feb-2015
Dempsey Woodworking -- just a hobby --	scale: 1:1
	unit : mm
	view : face view
<small>DesignCAD 3D MAX v24.1</small> <small>Copyright (c) 2015 Pieter A.C.A. van Vliet</small>	size : letter